

Product Information Sheet



- Description:** 190mm (200 series) Designer Range
- Available Colours:** Glacier, Macadamia, Platinum, Cocoa, Charcoal
- Finishes:** Smooth, Split Face
- Dimensions:** Category DW4 as per AS 4455.1 & 4455.3 & determined in accordance with AS/NZS 4456.3.
- Fire Resistance:** 60 ($S_{rr} \leq 18$) / 60 / 90 minutes FRL (AS 3700 DTS)
 90 ($S_{rr} \leq 17$) / 90 / 90 minutes FRL (AS 3700 DTS)
 240 ($S_{rr} \leq 36$) / 240 / 240 minutes FRL (grouted & reinforced, AS 3700 DTS)
- Durability:** Exposure Grade* (determined by AS/NZS 4456.10 - Resistance to Salt Attack)

| Code | Description | Strength (MPa) | Weight (kg) | H (mm) | W (mm) | L (mm) | No. / Pallet |
|--------|----------------------|----------------|-------------|--------|--------|--------|--------------|
| 20.01 | Standard | ≥15 | 16.2 | 190 | 190 | 390 | 108 |
| 20.02 | Three Quarter | ≥15 | 11.5 | 190 | 190 | 290 | 144 |
| 20.03 | Half | ≥15 | 9.0 | 190 | 190 | 190 | 180 |
| 20.42 | Channel | ≥15 | 15.9 | 190 | 190 | 390 | 108 |
| 20.71 | Standard half height | ≥15 | 7.6 | 90 | 190 | 390 | 216 |
| 50.31 | Capping | ≥15 | 6.7 | 40 | 190 | 390 | 270 |
| 20.121 | Standard | ≥15 | 17.5 | 190 | ~190 | 390 | 108 |
| 20.123 | Half | ≥15 | 11.1 | 190 | ~190 | 190 | 180 |
| 20.127 | Standard half height | ≥15 | 8.75 | 90 | ~190 | 390 | 180 |
| 20.139 | Corner Return | ≥15 | 18.9 | 190 | ~190 | ~390 | 108 |
| 20.141 | Corner Return Half | ≥15 | 12.3 | 190 | ~190 | ~190 | 216 |
| 20.142 | Channel | ≥15 | 17.0 | 190 | ~190 | 390 | 108 |

- Finishes:** Smooth – Finely textured finish created through standard moulding process
 Split Face – The splitting process produces a bold textured surface resulting in characteristics much like split natural stone.
- Lead Times:** Smooth face coloured blocks are generally made to order with lead time dependant on quantity. Indicative is 1-2 weeks
- Colour Variation:** Variation in colour may occur due to natural variations in raw materials. It is common for minor variations within a batch which is typical of a natural product and part of Masonry's inherent character. Colour variation can also occur from batch to batch making it essential to order all product requirements at the same time. National Masonry recommends part size blocks are cut on-site to maintain colour consistency. Blocks can be cut to order. Laying practices, core-filling,

method of cleaning and sealing will also impact final colour, consistence and finish of product.

Blending:

To obtain a consistent finish and mitigate colour variation, National Masonry strongly recommend “blending” which is drawing product from multiple pallets on-site.

Block storage:

Blocks must be keep dry on site before use and when laid. Freshly laid walls must be covered overnight and when rain interrupts work in order to prevent moisture entering the cores of the blocks. Failing to do this will increase the likelihood of efflorescence.

Mortar:

Coloured Designer Range blocks contain an efflorescence inhibitor. To complete the system, an additive must be used in the mortar mix.

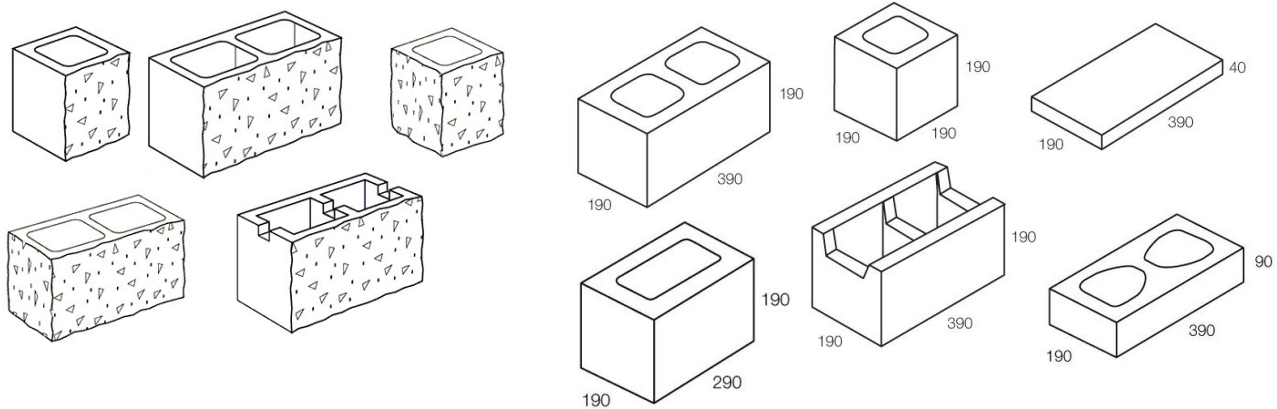
Blocklaying:

Good laying practice and site procedures are necessary for controlling efflorescence to a reasonable level; it is desirable to store masonry off the ground and loosely cover with a waterproof membrane during rain. Poor building practice such as partially built walls left uncovered during rain, allow rainwater to enter block cavities and leach free lime to the surface

With the progression of the wall, it is essential the blockwork is kept clean from mortar smears. Acid must NOT be used for cleaning concrete masonry walls.

Mortar:

Brickies Loam SHOULD NOT BE USED for masonry mortar. Clean sharp sand, such as pit sand, or plasterer’s sand is more suited. Coloured Designer Range blocks contain an efflorescence inhibitor. To complete the system, an additive must be used in mortar mix. National Masonry supply and recommend TECH-DRYAD mortar additive. The consumption of additives varies significantly, 20 litres of mortar additive may lay approximately 1000-1500 Blocks.



Manufactured to AS/NZS 4455.1 & 4455.3:2008

* Durability as per BMRL Research Laboratory test certificate #8263, AS/NZS 4456.10 Method B.

The information above is for general description purposes only.

16/12/2019 - subject to change without notice.