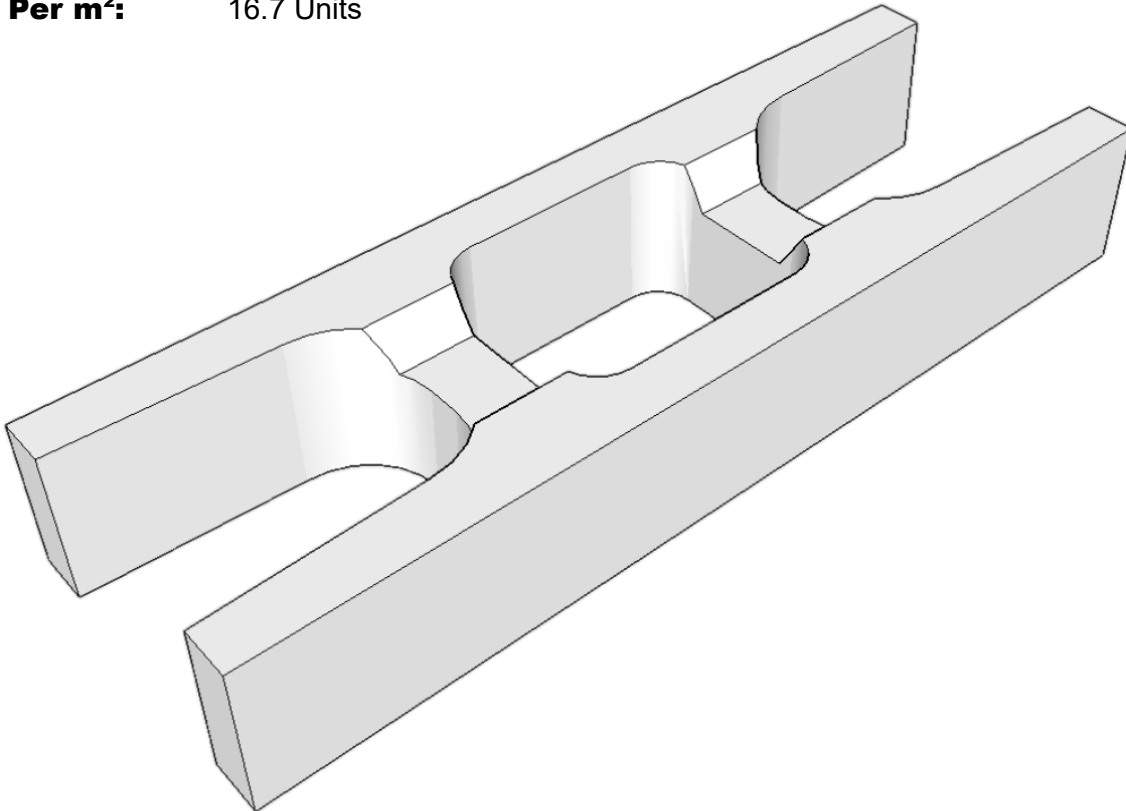


Product Information Sheet



- Description:** 190mm, 590mm Long Half Height 'H' Block Light Weight
- Product Code:** 20-759 (M20759LANAT00LW)
- Dimensions:** 190 x 590 x 90 mm (W x L x H) (+/- Tolerance to AS 4455.1)
Minimum face shell thickness 30mm
- Strength:** Characteristic Unconfined Compressive Strength ≥ 15 MPa
- Fire Resistance:** 90/90/90 (Srf ≤ 17) hollow*
240/240/240 (Srf ≤ 15) core-filled unreinforced*
240/240/240 (Srf ≤ 36) core-filled reinforced*
- Durability:** Exposure Grade** (determined by Resistance to Salt Attack)
- Weight:** 8.8 Kg +10%
- No. Per Pallet:** 144 Units
- No. Per m²:** 16.7 Units



Manufactured to AS/NZS 4455.1:2008.

* Fire Resistance Levels DTS as per AS3700.

** Durability as per BMRL Research Laboratory test certificate #8263, AS/NZS 4456.10 Method B.

The information above is for general description purposes only.

19/05/2021 - subject to change without notice.