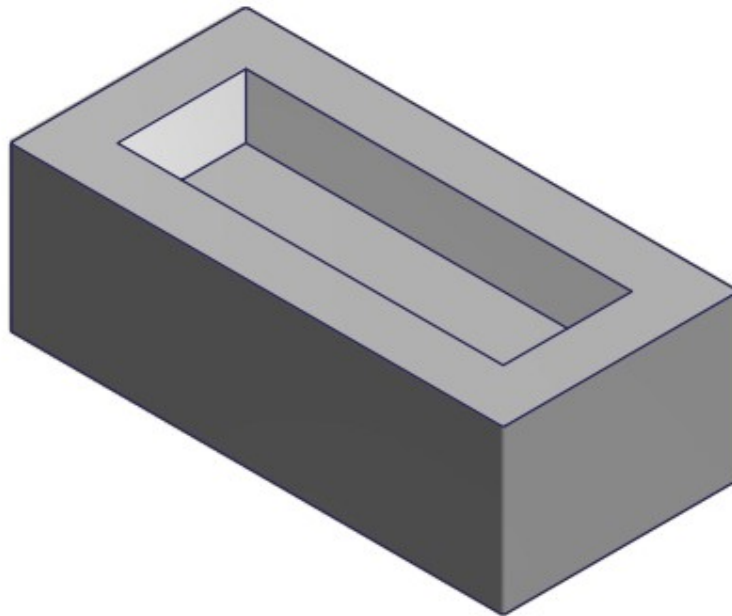


Product Information Sheet



| | |
|-------------------------------|--|
| Description: | Common brick light weight |
| Product code: | M12715WHNAT00LW |
| Dimensions: | 76 x 110 x 230 mm (H x W x L) Category DW4 as per AS 4455.1, determined in accordance with AS/NZS 4456.3. |
| Strength: | Characteristic Compressive Strength ≥ 5 MPa |
| Fire Resistance: | -- / 240 / 180 (Srf < 25.83) (non-loadbearing) |
| Durability: | Exposure Grade (determined by AS/NZS 4456.10 - Resistance to Salt Attack) |
| Weight: | 2.7 Kg $\pm 10\%$ |
| No. Per pallet: | 600 Units |
| No. Per m²: | 48.5 Units |



Manufactured to AS/NZS 4455.1 & 4455.3:2008

The information above is for general description purposes only.

14/06/2018 - subject to change without notice.