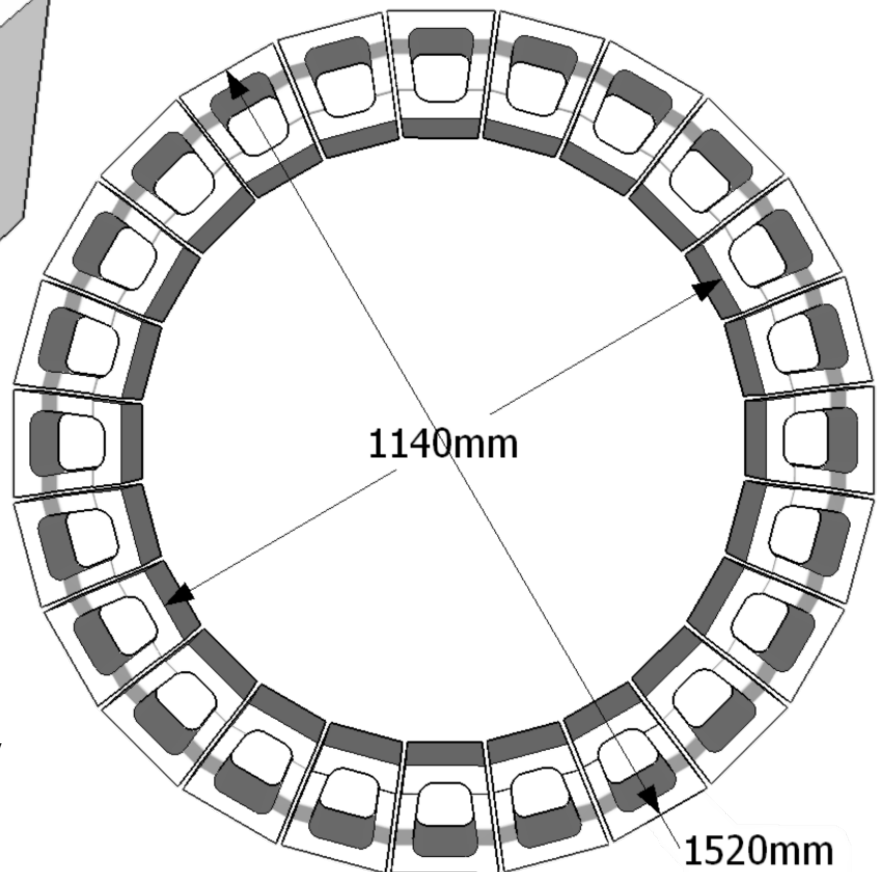
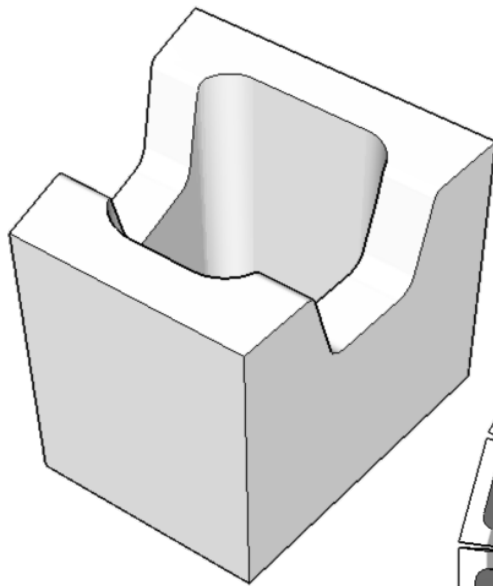


Product Information Sheet



- Description:** 190mm 'Half-Length Channel Curve Wall' light weight
- Product Code:** 20-03C (M2003CLANAT00LW)
- Dimensions:** 190 x 190/140 x 190 mm (W x L x H) (+/- Tolerance to AS 4455.1)
Minimum face shell thickness 30mm
- Strength:** Characteristic Unconfined Compressive Strength ≥ 15 MPa
- Fire Resistance:** 190/90/90 (Srf ≤ 17) hollow*
240/240/240 (Srf ≤ 15) core-filled unreinforced*
240/240/240 (Srf ≤ 36) core-filled reinforced*
- Durability:** Exposure Grade** (determined by Resistance to Salt Attack)
- Weight:** 6.3 Kg +10%
- No. Per Pallet:** 180 Units
- No. Per m²:** 25 Units
- Wall Curve:** 570mm inner / 760mm outer radius (with regular 10mm joint)
1140mm inner / 1520mm outer diameter (with regular 10mm joint)
Sharper or shallower curves are achievable by varying the joint widths



Manufactured to AS/NZS 4455.1:2008.

* Fire Resistance Levels DTS as per AS3700.

** Durability as per BMRL Research Laboratory test certificate #8263, AS/NZS 4456.10 Method B.

The information above is for general description purposes only.

24/11/2020 - subject to change without notice.